

---

## DSC 40B - Midterm 02 Review

---

**Problem 1.**

The goal of contact tracing is to determine how the spread of a virus occurs. Which type of graph would be best for modelling the spread of a virus?

- Directed graph
- Undirected graph

**Problem 2.**

A directed graph has 7 nodes. What is the maximum number of edges it can have?

**Problem 3.**

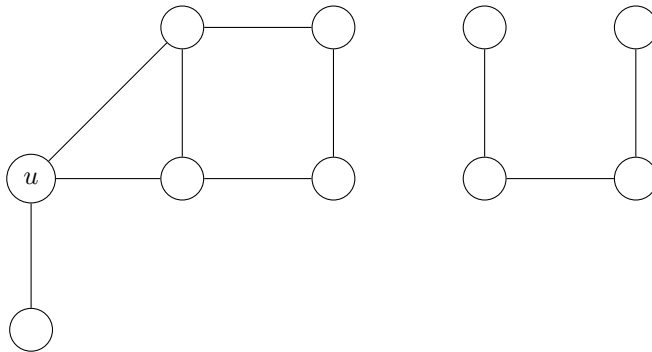
An undirected graph has 12 nodes. What is the maximum number of connected components it can have?

**Problem 4.**

A directed graph has 5 nodes. What is the largest degree that a node in the graph can possibly have?

**Problem 5.**

How many nodes are reachable from node  $u$  in the graph?



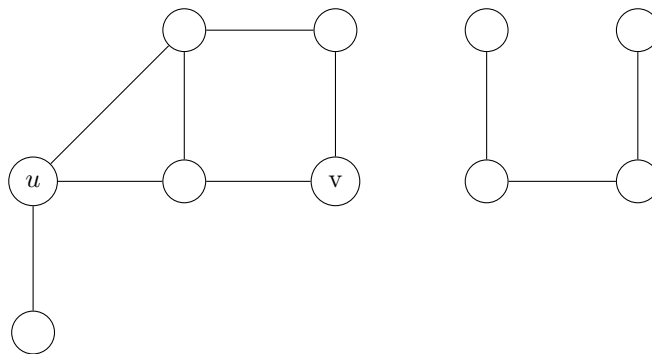
**Problem 6.**

Both BFS and DFS can be used to count the number of connected components in an undirected graph.

- True
- False

**Problem 7.**

How many paths are there from node  $u$  to node  $v$  in the graph below?



- Infinitely many
- 4
- 3
- 5

**Problem 8.**

In an unweighted graph, there is at most one shortest path between any pair of given nodes.

- True
- False

**Problem 9.**

An undirected graph has 5 nodes. What is the smallest number of connected components it can have?

**Problem 10.**

In a full BFS of a graph  $G=(V, E)$ , the number of times that something is popped from the queue is  $2V$  if the graph is undirected and  $V$  if the graph is directed.

- True
- False

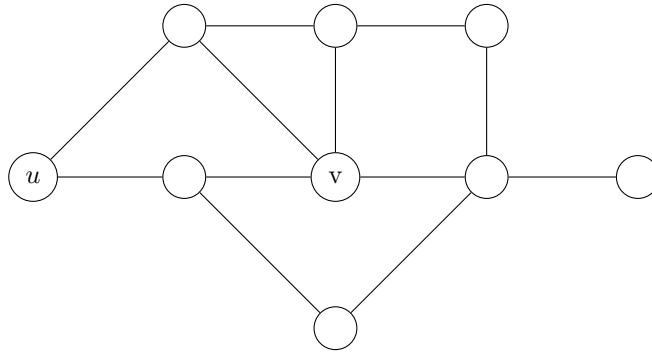
**Problem 11.**

In BFS it is possible for the queue to simultaneously contain a node whose distance from the source is 3 and node whose distance from the source is 5.

- True
- False

**Problem 12.**

Suppose a BFS is run on the graph below with  $u$  as the source.



Of course,  $u$  is the first node to be popped of the queue. Suppose that node  $v$  is the  $k$ th node popped from the queue.

a) What is the smallest that  $k$  can possibly be?

b) What is the largest that  $k$  can possibly be?

**Problem 13.**

Consider the modified mergesort given below:

```
def bfs(graph, source, status=None):
    if status is None:
        status = {node: 'undiscovered' for node in graph.nodes}

    status[source] = 'pending'
    pending = deque([source])

    # while there are still pending nodes
    while pending:
        u = pending.popleft()
        for v in graph.neighbors(u):
            # explore edge (u,v)
            if status[v] == 'undiscovered':
```

```

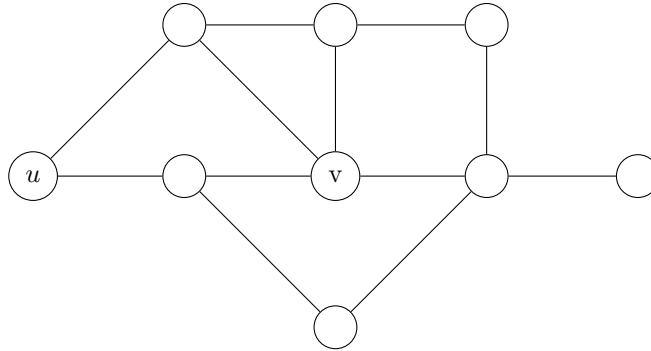
print ("Hey")
status[v] = 'pending'
# append to right
pending.append(v)
status[u] = 'visited'

```

Suppose this code is run on a connected undirected graph with 12 nodes. Exactly how many times will 'Hey' be printed?

**Problem 14.**

Suppose a DFS is run on the graph below with u as the source.



Node u will be the first node marked pending. Suppose that node v is the kth node marked pending.

a) What is the smallest that k can possibly be?

b) What is the largest that k can possibly be?

**Problem 15.**

If DFS is called on a complete graph, the time complexity is  $\theta(V^2)$

- True
- False

**Problem 16.**

What is the result of updating the edge  $(u,v)$  when the  $est[u]$ ,  $est[v]$  and  $weight(u,v)$  are given as follows?

Figure 1: Bellman Ford update subroutine

```
def update(u, v, weights, est, predecessor):  
    if est[v] > est[u] + weights(u,v):  
        est[v]=est[u]+weights(u,v)  
        predecessor[v]=u  
        return True  
    else:  
        return False
```

a)  $est[u] = 7$ ,  $est[v] = 11$ ,  $weight(u,v) = 3$

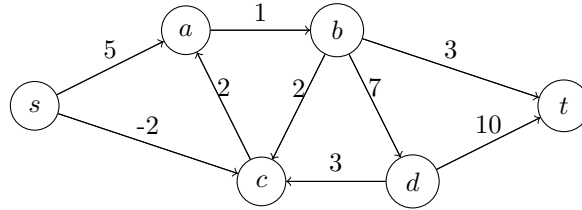
b)  $est[u] = 15$ ,  $est[v] = 12$ ,  $weight(u,v) = -3$

c)  $est[u] = 12$ ,  $est[v] = 14$ ,  $weight(u,v) = 3$

**Problem 17.**

Run Bellman-Ford on the following graph using node  $s$  as the source. Below each node  $u$ , write the shortest path length from  $s$  to  $u$ . Mark the predecessor of  $u$  by highlighting it or making a bold arrow.

```
def bellman_ford(graph, weights, source):
    est={node:float('inf') for node in graph.nodes}
    est[source]=0
    predecessor={node: None for node in graph.nodes}
    for i in range(len(graph.nodes)-1):
        for(u, v) in graph.edges:
            update(u, v, weights, est, predecessor)
    return est, predecessor
```



**Problem 18.**

State TRUE or FALSE for the following statements:

- a) If  $(s, v_1, v_2, v_3, v_4)$  is a shortest path from  $s$  to  $v_4$  in a weighted graph, then  $(s, v_1, v_2, v_3)$  is a shortest path from  $s$  to  $v_3$

- b) Let  $P$  be a shortest path from some vertex  $s$  to some other vertex  $t$  in a directed graph. If the weight of each edge in the graph is increased by one,  $P$  will still be a shortest path from  $s$  to  $t$ .



- c) Suppose the update function is modified such the  $est[v]$  is updated when  $est[v] \geq est[u] + weight(u,v)$  instead of strictly greater than. The  $est$  values of all nodes at the end of the algorithm would still give the shortest distance from the source.

- d) Suppose the update function is modified such the  $est[v]$  is updated when  $est[v] \geq est[u] + weight(u,v)$  instead of strictly greater than. We can still find the shortest path from the source to any node using the predecessors using the new algorithm.